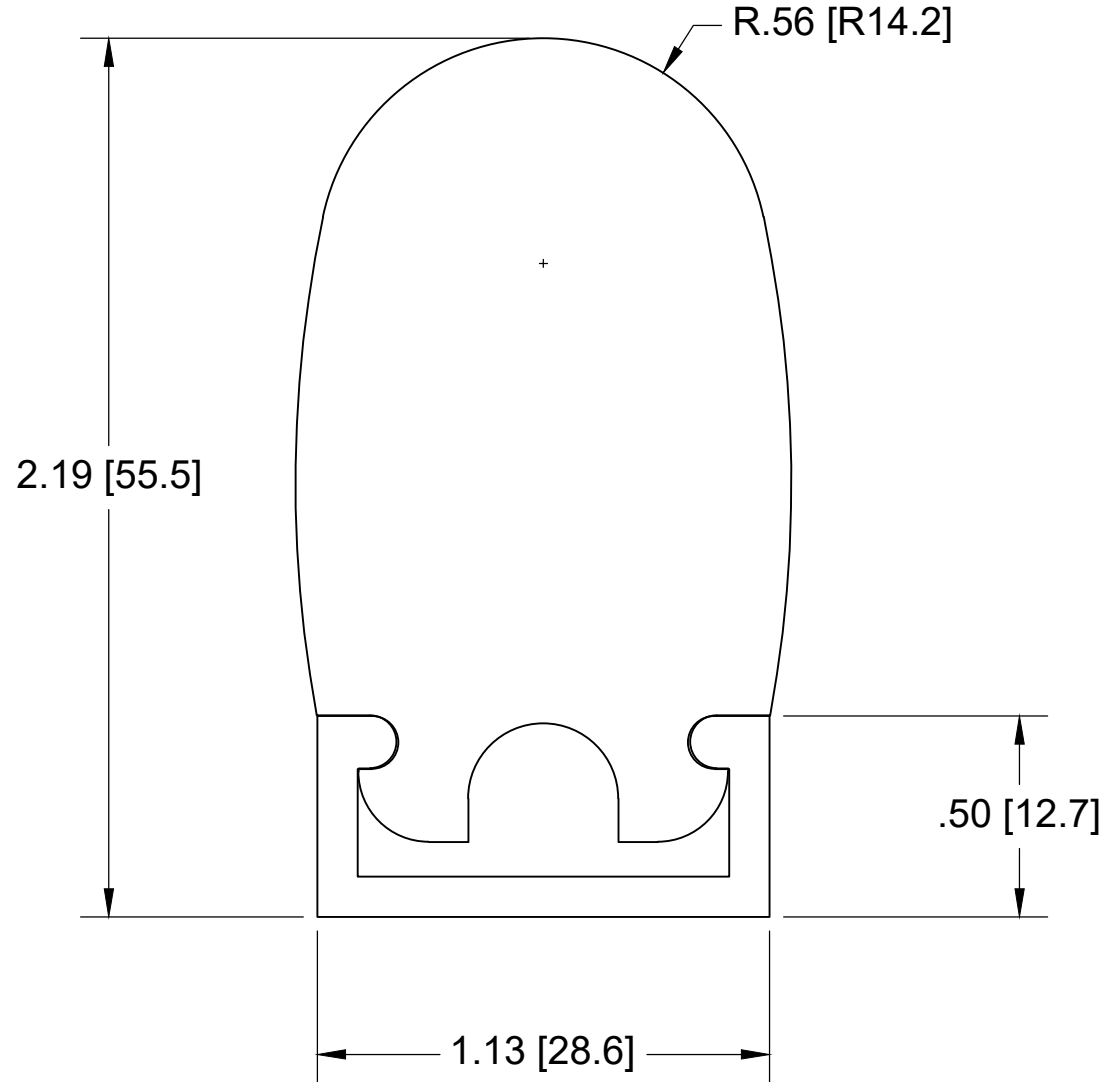


DISCLAIMER  
 WHILE EVERY EFFORT HAS BEEN MADE TO ENSURE THE ACCURACY  
 OF THE INFORMATION PROVIDED, NO LIABILITY CAN BE TAKEN FOR  
 ANY ERRORS OR OMISSION. TAPESWITCH CORPORATION RESERVES  
 THE RIGHT TO ALTER SPECIFICATIONS AND INTRODUCE IMPROVEMENTS  
 WITHOUT PRIOR NOTICE.



|  |           |                |
|--|-----------|----------------|
| TS-48 FLAT PROFILE DIMENSIONS                                  | SCALE N/A | DRAWN DS       |
|  | APPD. .   | DATE 9/5/18    |
| <b>TAPESWITCH CORPORATION</b><br>FARMINGDALE, NEW YORK, U.S.A. | SIZE      | DRAWING NUMBER |
|  | A         | .              |