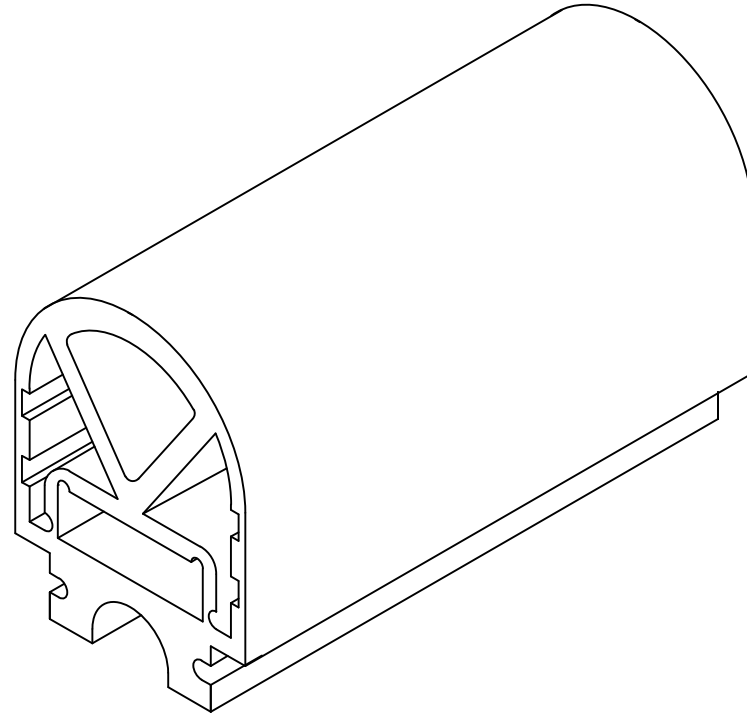
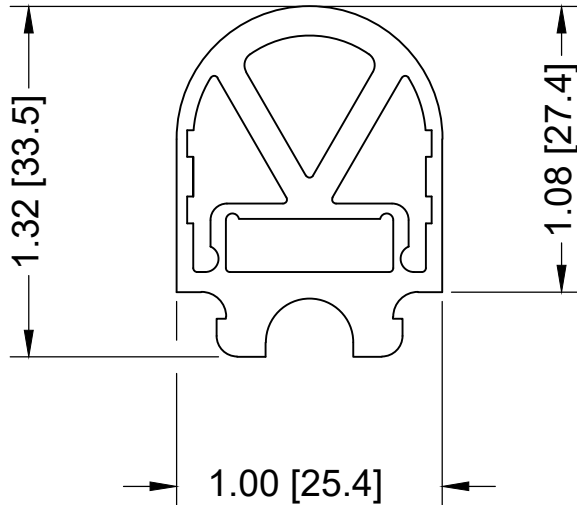


DISCLAIMER
 WHILE EVERY EFFORT HAS BEEN MADE TO ENSURE THE ACCURACY
 OF THE INFORMATION PROVIDED, NO LIABILITY CAN BE TAKEN FOR
 ANY ERRORS OR OMISSION. TAPESWITCH CORPORATION RESERVES
 THE RIGHT TO ALTER SPECIFICATIONS AND INTRODUCE IMPROVEMENTS
 WITHOUT PRIOR NOTICE.

TS26 SANTOPRENE BLACK 12130
 TS26 SANTOPRENE RED 12137
 TS26 SANTOPRENE YELLOW 12136



TS-26 HOUSING DIMENSIONS	SCALE N/A	DRAWN J.G.
	APPD. .	DATE 2/23/17
TAPESWITCH CORPORATION FARMINGDALE, NEW YORK, U.S.A.	SIZE A	DRAWING NUMBER .