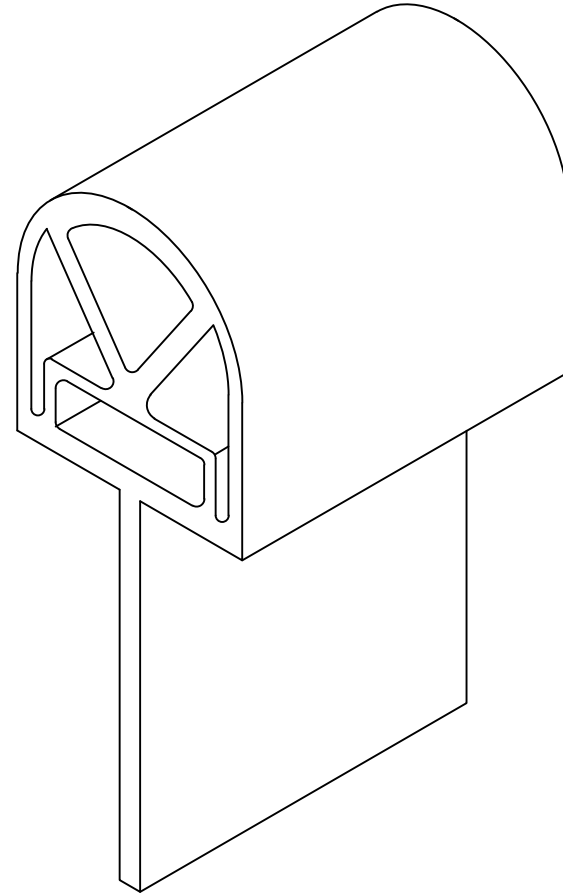
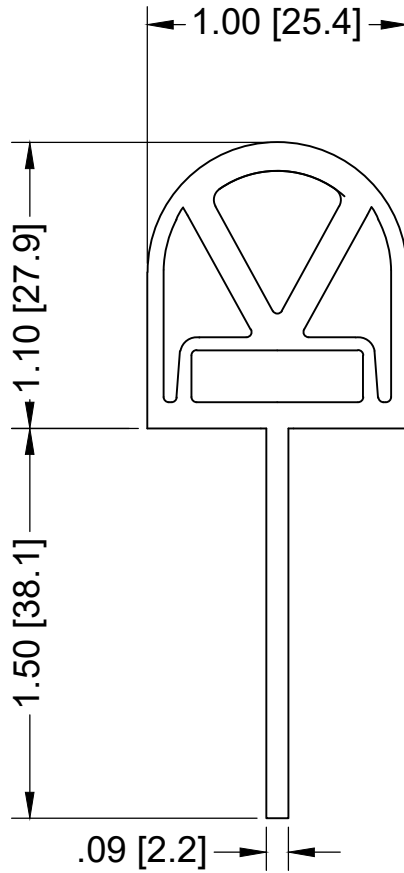


DISCLAIMER  
 WHILE EVERY EFFORT HAS BEEN MADE TO ENSURE THE ACCURACY  
 OF THE INFORMATION PROVIDED, NO LIABILITY CAN BE TAKEN FOR  
 ANY ERRORS OR OMISSION. TAPESWITCH CORPORATION RESERVES  
 THE RIGHT TO ALTER SPECIFICATIONS AND INTRODUCE IMPROVEMENTS  
 WITHOUT PRIOR NOTICE.

TS-26T SANTOPRENE ORANGE-RED 12126



TS-26T HOUSING DIMENSIONS	SCALE	N/A	DRAWN	J.G.
	APPD.	.	DATE	2/23/17
TAPESWITCH CORPORATION FARMINGDALE, NEW YORK, U.S.A.	SIZE	DRAWING NUMBER		
	A	.		