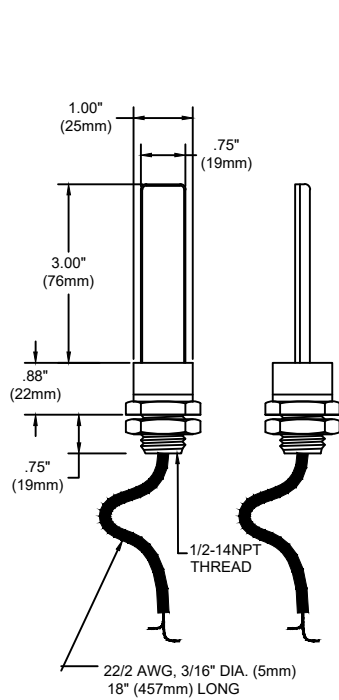
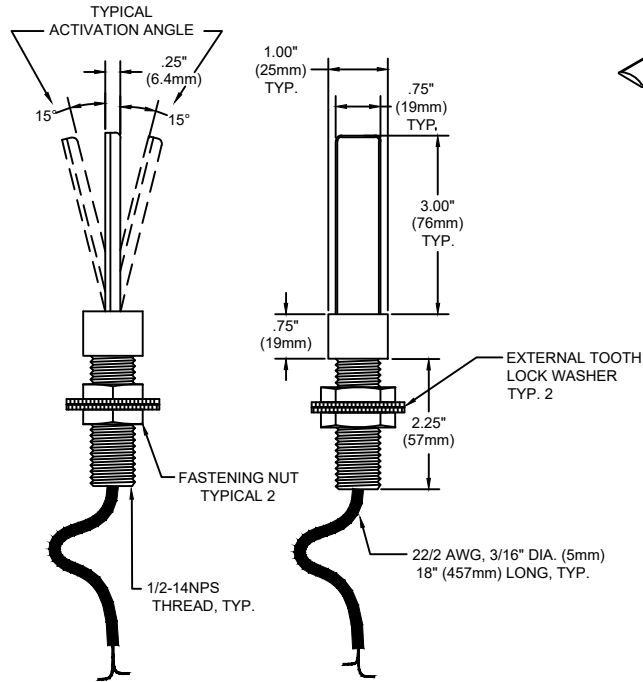


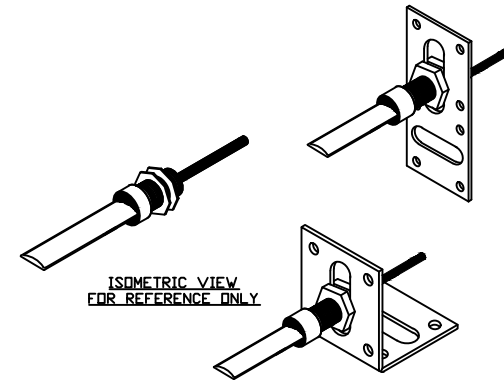
DISCLAIMER
 WHILE EVERY EFFORT HAS BEEN MADE TO ENSURE THE ACCURACY OF THE INFORMATION PROVIDED, NO LIABILITY CAN BE TAKEN FOR ANY ERRORS OR OMISSION. TAPESWITCH CORPORATION RESERVES THE RIGHT TO ALTER SPECIFICATIONS AND INTRODUCE IMPROVEMENTS WITHOUT PRIOR NOTICE.



STANDARD PVC CONFIGURATION
 P/N 2570



STAINLESS & ALUMINUM CONFIGURATION
 ALUMINUM P/N 2580
 STAINLESS STEEL P/N 2590



FLEX ACTUATOR, STANDARD	SCALE N/A	DRAWN J.G.
	APPD.	DATE 3/8/17
TAPESWITCH CORPORATION FARMINGDALE, NEW YORK, U.S.A.	SIZE A	DRAWING NUMBER