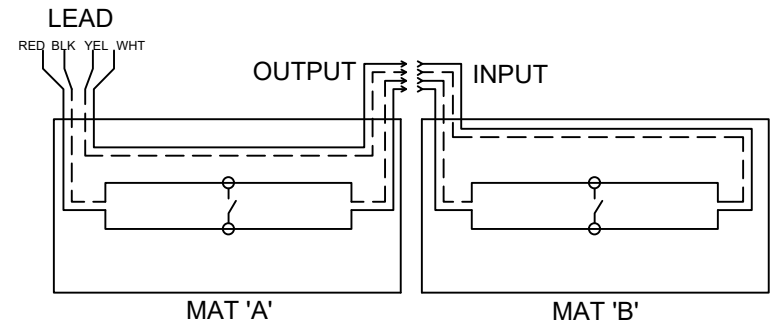
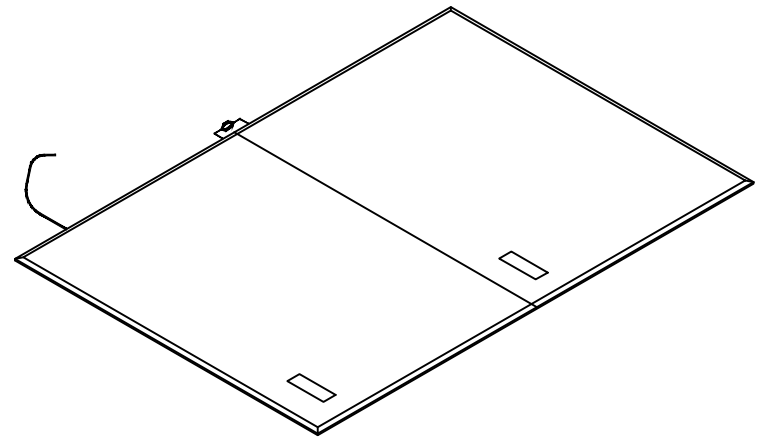
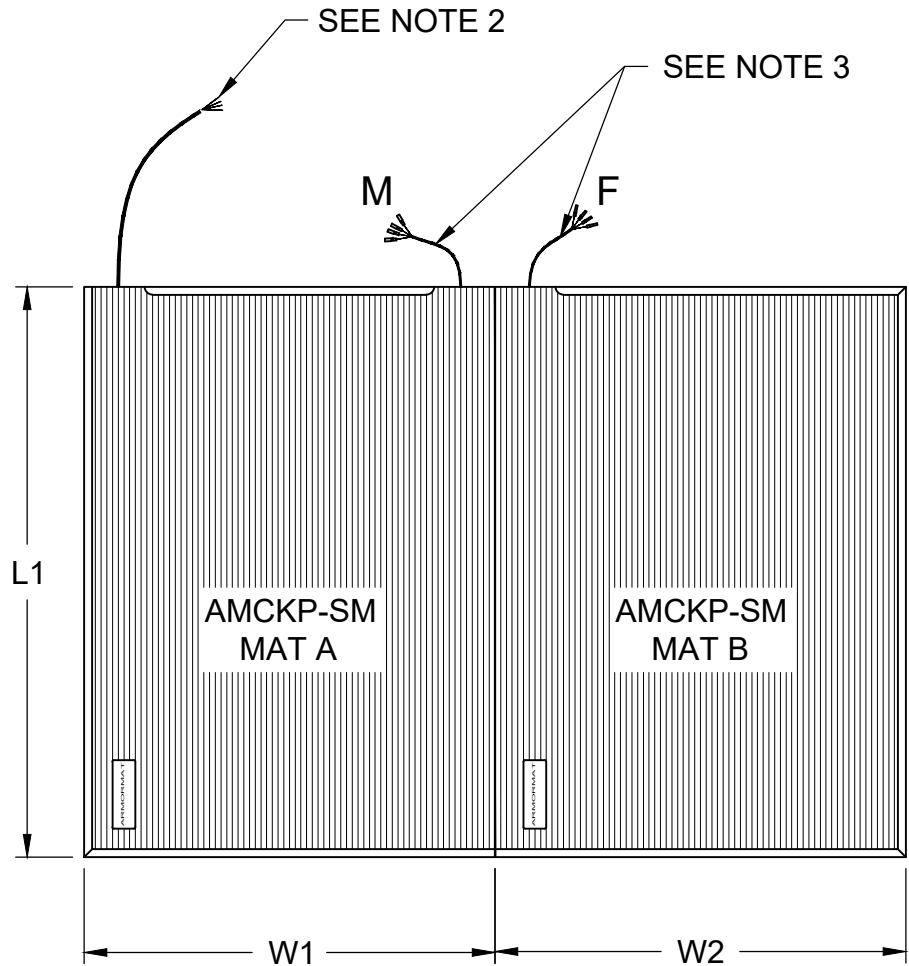


**DISCLAIMER**  
 WHILE EVERY EFFORT HAS BEEN MADE TO ENSURE THE ACCURACY OF THE INFORMATION PROVIDED, NO LIABILITY CAN BE TAKEN FOR ANY ERRORS OR OMISSION. TAPESWITCH CORPORATION RESERVES THE RIGHT TO ALTER SPECIFICATIONS AND INTRODUCE IMPROVEMENTS WITHOUT PRIOR NOTICE.



**NOTES:**

1. AMCKP-SM, BLACK AND/OR YELLOW WITH LEXAN INSERTS
2. LEAD: 18/4 Ø1/4 BLK DRI-RUN, 6 FT
3. INTERCONNECTS: 20/4 Ø3/16, 6 IN MALE & FEMALE CONNECTORS
4. RAMPED OR SQUARED PERIMETER

<b>AMCKP-SM (2 MATS)</b>	SCALE	N/A	DRAWN	J.G.
	APPD.	.	DATE	3/8/17
<b>TAPESWITCH CORPORATION</b> FARMINGDALE, NEW YORK, U.S.A.	SIZE	DRAWING NUMBER		
	A	.		