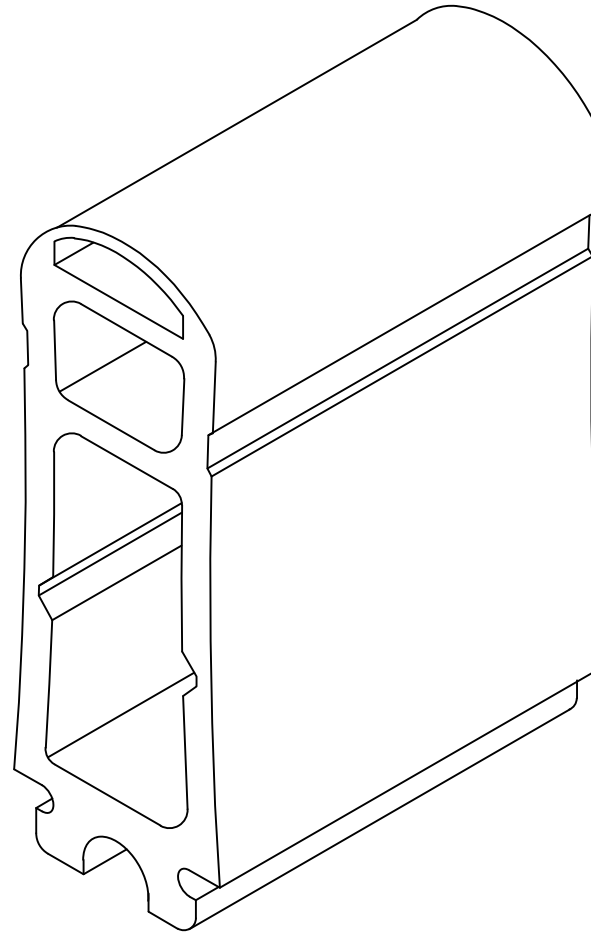
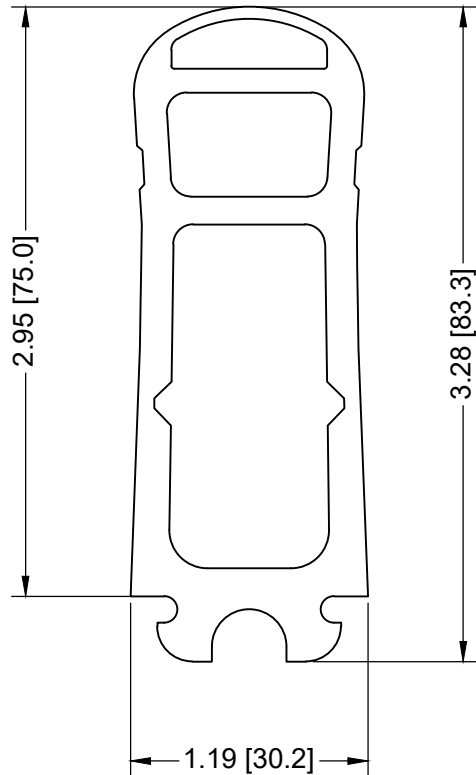


DISCLAIMER
 WHILE EVERY EFFORT HAS BEEN MADE TO ENSURE THE ACCURACY
 OF THE INFORMATION PROVIDED, NO LIABILITY CAN BE TAKEN FOR
 ANY ERRORS OR OMISSION. TAPESWITCH CORPORATION RESERVES
 THE RIGHT TO ALTER SPECIFICATIONS AND INTRODUCE IMPROVEMENTS
 WITHOUT PRIOR NOTICE.

TS57 SANTOPRENE BLACK 12123
 TS57 SANTOPRENE RED 12143
 TS57 SANTOPRENE YELLOW 12144
 TS57 NITRILE RUBBER ENDCAP xxxxx



TS-57 HOUSING DIMENSIONS	SCALE	N/A	DRAWN	J.G.
	APPD.	.	DATE	2/23/17
TAPESWITCH CORPORATION FARMINGDALE, NEW YORK, U.S.A.	SIZE	DRAWING NUMBER		
	A	.		