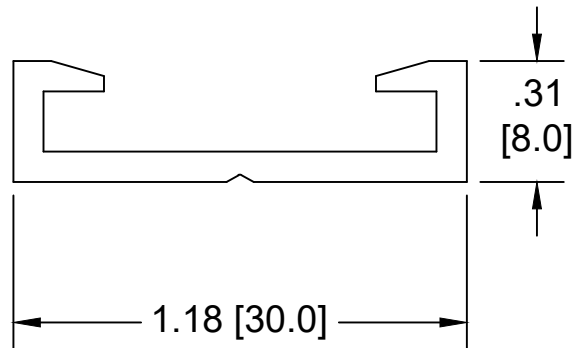
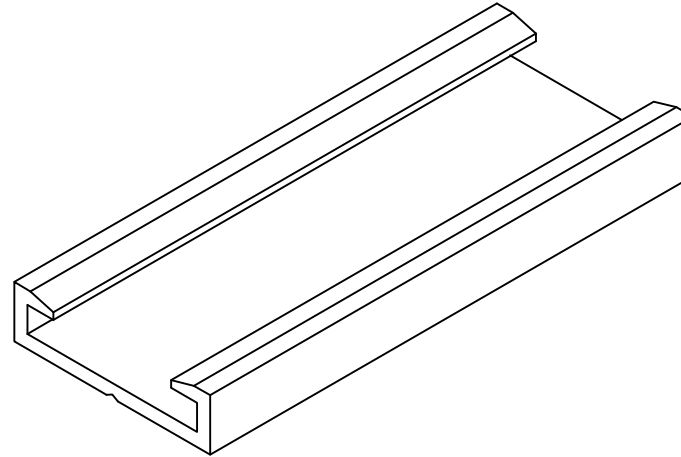


PROPRIETARY  
 EXCEPT AS OTHERWISE AGREED IN WRITING, THE INFORMATION AND DESIGN DISCLOSED HEREIN IS THE PROPERTY OF TAPESWITCH CORPORATION, AND MUST NOT BE COPIED OR DISTRIBUTED OUTSIDE TAPESWITCH, EXCEPT TO AUTHORIZED PERSONS WITH A GENUINE NEED-TO-KNOW WHO BY THE USE HEREOF ACKNOWLEDGE TAPESWITCH OWNERSHIP AND AGREE TO MAINTAIN THIS INFORMATION IN STRICT CONFIDENCE.

| REV.NO. | DESCRIPTIONS | DATE | APPRO. |
|---------|--------------|------|--------|
| 1       | .            | ---  |        |



TS18 ALUMINUM CHANNEL 4298

SHEET 1 OF 1

|                               |       |                |       |        |
|-------------------------------|-------|----------------|-------|--------|
| TS-18 FLAT CHANNEL            | SCALE | N/A            | DRAWN | J.G.   |
|                               | APPD. | ---            | DATE  | 7/5/18 |
| TAPESWITCH CORPORATION        | SIZE  | DRAWING NUMBER |       |        |
|                               | A     | .              |       |        |
| FARMINGDALE, NEW YORK, U.S.A. |       |                |       |        |

PART #:

MAT'L: n/a