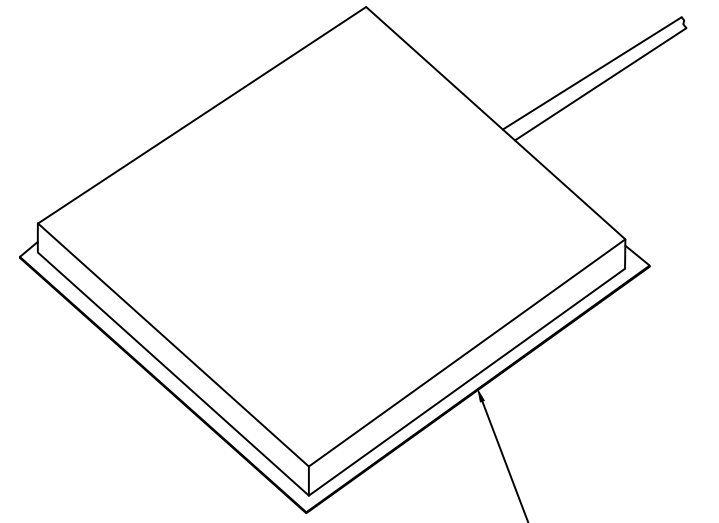
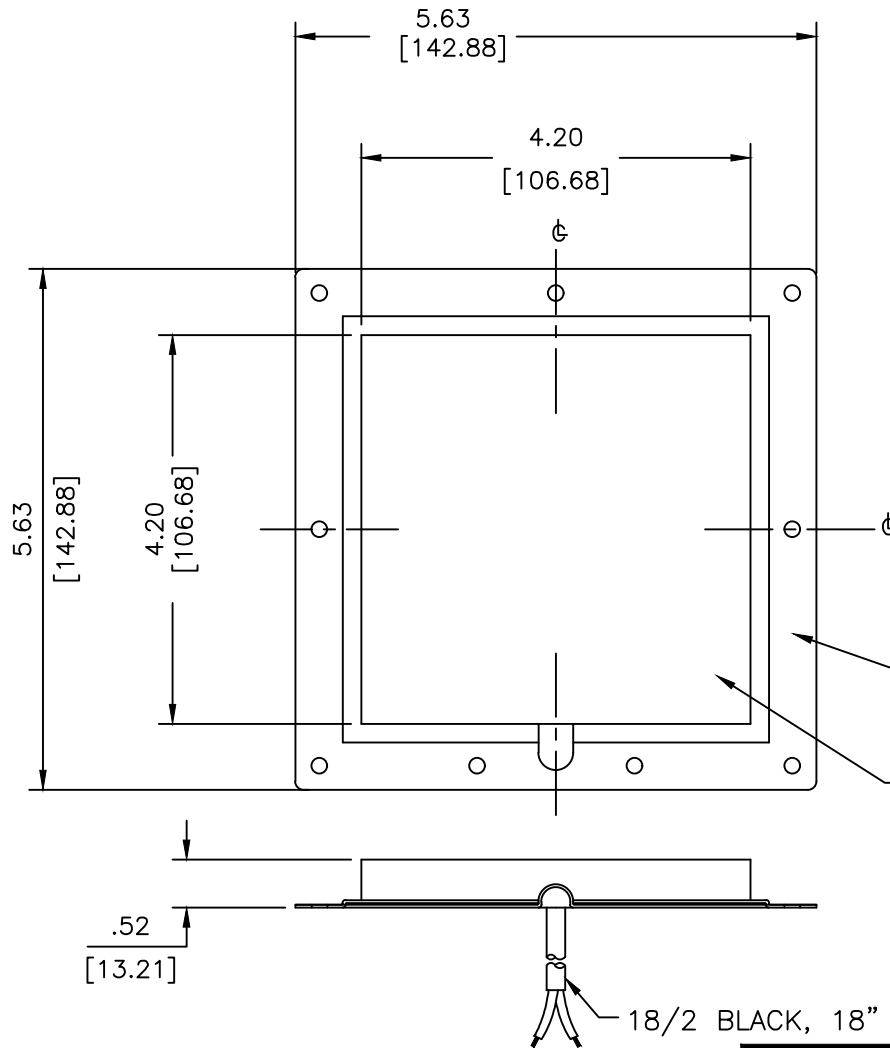


DISCLAIMER
 WHILE EVERY EFFORT HAS BEEN MADE TO ENSURE THE ACCURACY OF THE INFORMATION PROVIDED, NO LIABILITY CAN BE TAKEN FOR ANY ERRORS OR OMISSION. TAPESWITCH CORPORATION RESERVES THE RIGHT TO ALTER SPECIFICATIONS AND INTRODUCE IMPROVEMENTS WITHOUT PRIOR NOTICE.



OPTIONAL
 STAINLESS STEEL
 HOLD DOWN

TOUCH PAD
 W/O PLATE

4 X 4 TOUCH PAD
 YELLOW OR BLACK

NOTE:
 1. MAT'L: BLACK OR YELLOW PVC.

TP-4, TOUCH PAD, 18" LEAD	SCALE	N/A	DRAWN	J.G.
	APPD.	.	DATE	3/2/17
TAPESWITCH CORPORATION FARMINGDALE, NEW YORK, U.S.A.	SIZE	DRAWING NUMBER		
	A	.		