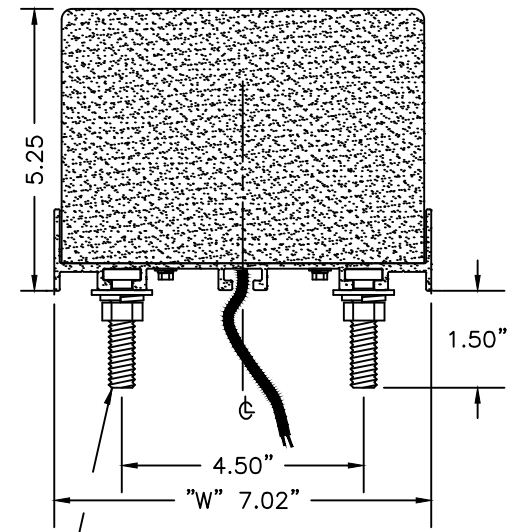


DISCLAIMER
 WHILE EVERY EFFORT HAS BEEN MADE TO ENSURE THE ACCURACY OF THE INFORMATION PROVIDED, NO LIABILITY CAN BE TAKEN FOR ANY ERRORS OR OMISSION. TAPESWITCH CORPORATION RESERVES THE RIGHT TO ALTER SPECIFICATIONS AND INTRODUCE IMPROVEMENTS WITHOUT PRIOR NOTICE.



SJO WIRE, 18/2 BLACK
 48 IN. LONG MIN. (2 PLACES)
 USE GROMMET No 14378
 FOR MOUNTING ø3/8\"/>

UP TO (10) CARRIAGE BOLTS
 18-8 STAINLESS STEEL
 3/8-16 X 1-1/2\"/>

SE-75 STANDARD SIZE CHART

BUMPER SIZE	OVERALL LENGTH 'L1'	'L2'	'L3'	# OF STUDS
1'	12.000	6.000	3.000	2
1.5'	18.000	12.000	3.000	2
2'	24.000	16.000	4.000	2
2.5'	30.000	20.000	5.000	2
3'	36.000	24.000	6.000	2
3.5'	42.000	15.000	6.000	3
4'	48.000	18.000	6.000	3
4.5'	54.000	21.000	6.000	3
5'	60.000	24.000	6.000	3
5.5'	66.000	27.000	6.000	3
6'	72.000	30.000	6.000	3
6.5'	78.000	33.000	6.000	3
7'	84.000	24.000	6.000	4
7.5'	90.000	26.000	6.000	4
8'	96.000	21.000	6.000	5
8.5'	102.000	22.500	6.000	5
9'	108.000	24.000	6.000	5
9.5'	114.000	25.500	6.000	5
10'	120.000	27.000	6.000	5

SE-75 BUMPER 12" to 120" LONG	SCALE N/A	DRAWN DS
	APPD.	DATE 11/15/17
TAPESWITCH CORPORATION FARMINGDALE, NEW YORK, U.S.A.	SIZE A	DRAWING NUMBER .