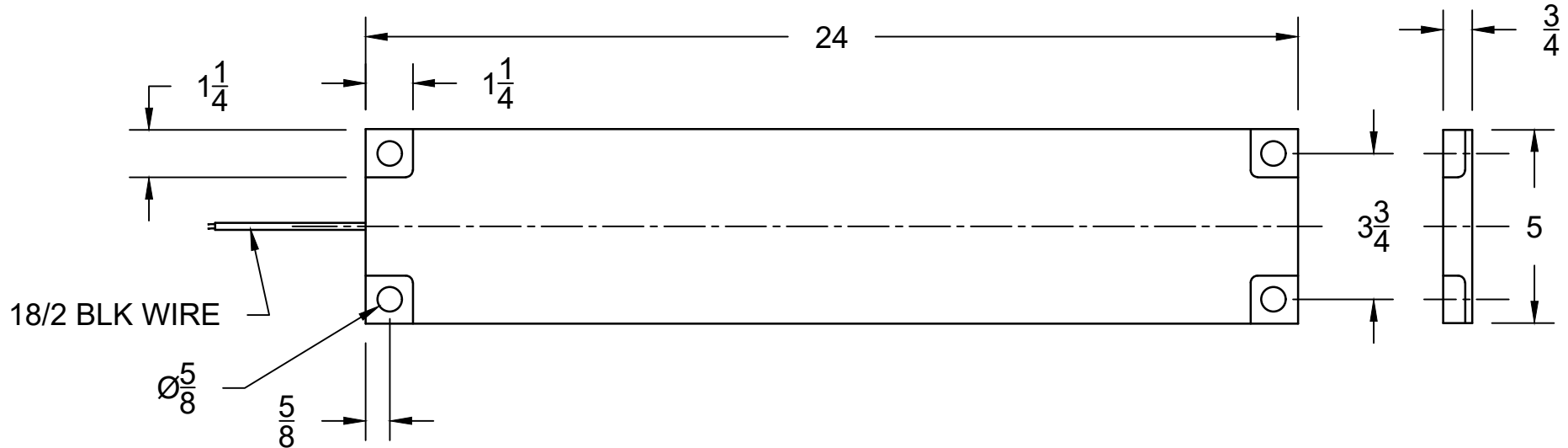
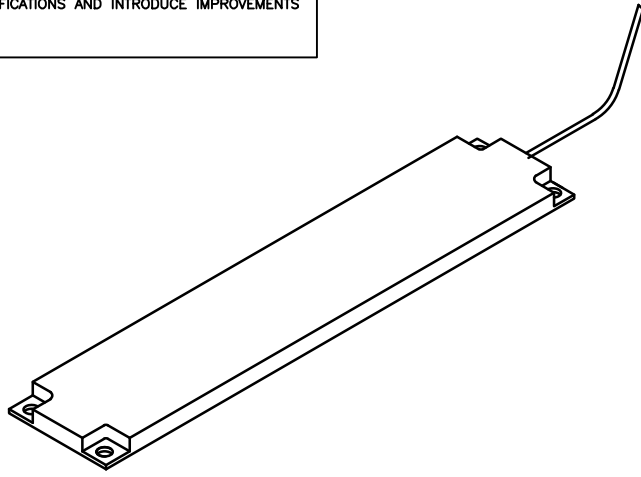


DISCLAIMER
 WHILE EVERY EFFORT HAS BEEN MADE TO ENSURE THE ACCURACY OF THE INFORMATION PROVIDED, NO LIABILITY CAN BE TAKEN FOR ANY ERRORS OR OMISSION. TAPESWITCH CORPORATION RESERVES THE RIGHT TO ALTER SPECIFICATIONS AND INTRODUCE IMPROVEMENTS WITHOUT PRIOR NOTICE.



18/2 BLK WIRE

EDGE: SQUARE
 SURFACE: SMOOTH
 THICKNESS: .75
 LEAD: 18/2 BLK

CARWASH MAT 5 X 24	SCALE N/A	DRAWN J.G.
	APPD. .	DATE 2/23/17
TAPESWITCH CORPORATION FARMINGDALE, NEW YORK, U.S.A.	SIZE A	DRAWING NUMBER .